

MSB-3 BALLASTS

- 3 ballasts replace existing sign ballast inventory
- Cover most applications (1 to 6 lamps, 2 to 48 feet)
- Ideal for sign maintenance



Catalog Number	Total Lamp Footage	Start Temp (°F)	Max. Line Cur.	Max. Input Watts	Open Circuit Volt.	Wiring Diagram	Case Dimensions (Inches)					Weight (lbs.)
							Case Length	Overall Length	Mounting Length	Height	Width	
MSB - PLASTIC SIGN FLUORESCENT BALLASTS - HIGH OUTPUT 800mA RS LAMPS - 120 Volts - 60 Hz												
MSB-218-816	2' min. - 18' max.	-20	2.00	240	625	7,10,26,27,28,29	13 ³ / ₁₆	14 ⁵ / ₁₆	13 ³ / ₄	2 ⁴³ / ₆₄	3 ³ / ₁₆	15
MSB-1232-816	12' min. - 32' max.	-20	3.50	410	970	7,10,26,27,28,29	15 ⁹ / ₁₆	16 ¹¹ / ₁₆	16 ¹ / ₈	2 ⁴³ / ₆₄	3 ³ / ₁₆	16
MSB-1048-816	10' min. - 48' max.	-20	4.80	570	800	7,10,24,25,26,29	15 ⁹ / ₁₆	16 ¹¹ / ₁₆	16 ¹ / ₈	2 ⁴³ / ₆₄	3 ³ / ₁₆	18
MSB - PLASTIC SIGN FLUORESCENT BALLASTS - HIGH OUTPUT 800mA RS LAMPS - 277 Volts - 60 Hz												
277-1048-816	10' min. - 48' max.	-20	2.00	550	800	7,10,24,25,26,29	15 ⁹ / ₁₆	16 ¹¹ / ₁₆	16 ¹ / ₈	2 ⁴³ / ₆₄	3 ³ / ₁₆	19
MSB - PLASTIC SIGN FLUORESCENT BALLASTS - HIGH OUTPUT 800mA RS LAMPS - 347 Volts - 60 Hz												
347-1048-616	10' min. - 48' max.	-20	1.60	569	800	7,10,26,28,29	15 ⁹ / ₁₆	16 ¹¹ / ₁₆	16 ¹ / ₈	2 ⁴³ / ₆₄	3 ³ / ₁₆	19

HI-N-DRI® BALLASTS

- Support 1 to 6 lamps
- Lead exits at top of can
- Ideal for high-moisture environments
- UL Class P thermally protected, Type 2 Outdoor, HL



Catalog Number	Total Lamp Footage	Start Temp (°F)	Max. Line Cur.	Max. Input Watts	Open Circuit Volt.	Wiring Diagram	Case Dimensions (Inches)					Weight (lbs.)
							Case Length	Overall Length	Mounting Length	Height	Width	
HI-N-DRI® PLASTIC SIGN FLUORESCENT BALLASTS - HIGH OUTPUT 800mA RS LAMPS - 120 Volts - 60 Hz												
TWO LAMP BALLASTS												
258-272-800	4' min. - 12' max.	-20	1.35	—	500	1, 2	13 ¹ / ₈	14 ⁴⁵ / ₆₄	13 ³ / ₈	2 ⁵ / ₈	3 ¹¹ / ₃₂	12
258-296-800	12' min. - 16' max.	-20	2.05	—	560	1, 2	13 ¹ / ₈	14 ⁴⁵ / ₆₄	13 ³ / ₈	2 ⁵ / ₈	3 ¹¹ / ₃₂	12
THREE LAMP BALLASTS												
258-348-800	4' min. - 12' max.	-20	1.35	—	450	1, 3, 8	13 ¹ / ₈	14 ⁴⁵ / ₆₄	13 ³ / ₈	2 ⁵ / ₈	3 ¹¹ / ₃₂	12
258-372-800	12' min. - 18' max.	-20	2.00	—	590	3, 8	13 ¹ / ₈	14 ⁴⁵ / ₆₄	13 ³ / ₈	2 ⁵ / ₈	3 ¹¹ / ₃₂	13
258-396-800	10' min. - 24' max.	-20	2.70	—	720*	1, 3, 8	15 ¹ / ₂	17 ⁵ / ₆₄	16 ¹ / ₈	2 ²⁷ / ₃₂	3 ³ / ₈	15
FOUR LAMP BALLASTS												
258-448-800	8' min. - 16' max.	-20	1.90	—	590	1, 4, 6, 9	13 ¹ / ₈	14 ⁴⁵ / ₆₄	13 ³ / ₈	2 ⁵ / ₈	3 ¹¹ / ₃₂	13
258-464-800	10' min. - 22' max.	-20	2.50	300	650	16, 17, 23	13 ¹ / ₈	17 ¹ / ₁₆	16 ³ / ₁₆	2 ²⁷ / ₃₂	3 ³ / ₈	16
258-472-800	10' min. - 24' max.	-20	2.70	—	720*	1, 4, 6, 9	15 ¹ / ₂	17 ⁵ / ₁₆	16 ¹ / ₈	2 ⁵ / ₈	3 ¹¹ / ₃₂	15
258-484-800	16' min. - 28' max.	-20	3.10	370	750	16, 17, 23	15 ¹ / ₂	17 ⁵ / ₆₄	16 ¹ / ₈	2 ²⁷ / ₃₂	3 ³ / ₈	16
258-496-800	16' min. - 32' max.	-20	3.50	—	920*	4, 6, 9	15 ¹ / ₂	17 ⁵ / ₁₆	16 ¹ / ₈	2 ⁵ / ₈	3 ¹¹ / ₃₂	18
SIX LAMP BALLASTS												
258-648-800	10' min. - 25' max.	-20	3.00	340	825	17, 21, 22	15 ¹ / ₂	17 ⁵ / ₆₄	16 ¹ / ₈	2 ²⁷ / ₃₂	3 ³ / ₈	16
258-672-800	24' min. - 36' max.	-20	4.30	480	1000	18, 19, 20	15 ¹ / ₂	17 ⁵ / ₆₄	16 ¹ / ₈	2 ²⁷ / ₃₂	3 ³ / ₈	16
258-696-800	20' min. - 48' max.	-20	5.00	600	720	5, 7, 10	15 ¹ / ₂	17 ⁵ / ₆₄	16 ¹ / ₈	2 ²⁷ / ₃₂	3 ³ / ₈	16

* Maximum volts above ground, any lead 590 volts.

For More Information, Call
1-800-BALLAST
 (225-5278)



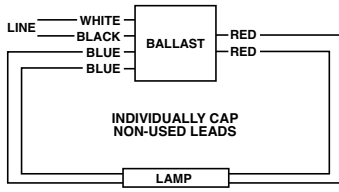
WIRING DIAGRAMS

Diagram Notes:

Note 1: When operating a two-lamp ballast on one lamp insulate each yellow lead.

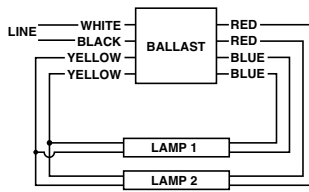
Note 2: When operating a three-lamp ballast on one lamp insulate each yellow and blue/white lead.

Note 3: When operating a four-lamp ballast on one lamp insulate each yellow and blue/white, and brown lead.



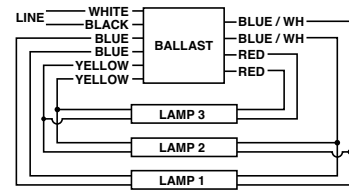
MOUNT LAMPS WITHIN 1" OF GROUNDED METAL REFLECTOR

Diagram 1



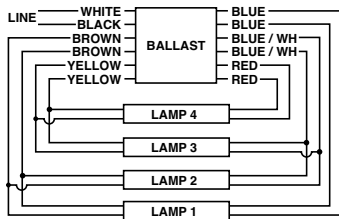
MOUNT LAMPS WITHIN 1" OF GROUNDED METAL REFLECTOR

Diagram 2



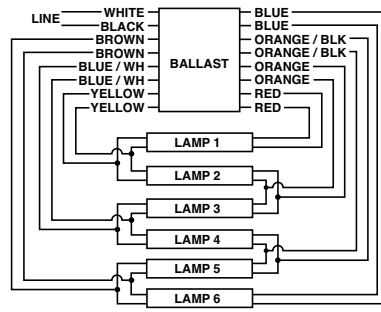
MOUNT LAMPS WITHIN 1" OF GROUNDED METAL REFLECTOR

Diagram 3



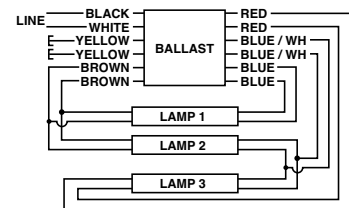
MOUNT LAMPS WITHIN 1" OF GROUNDED METAL REFLECTOR

Diagram 4



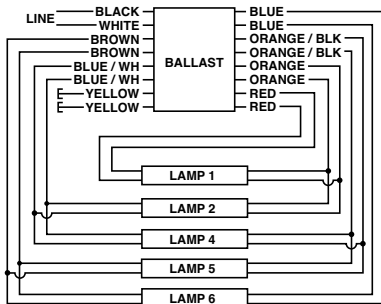
MOUNT LAMPS WITHIN 1" OF GROUNDED METAL REFLECTOR

Diagram 5



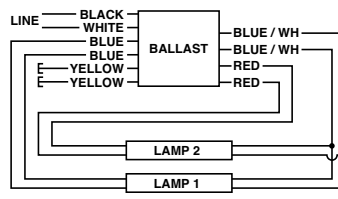
INDIVIDUALLY CAP THE YELLOW LEADS

Diagram 6



INDIVIDUALLY CAP THE YELLOW LEADS

Diagram 7



INDIVIDUALLY CAP THE YELLOW LEADS

Diagram 8

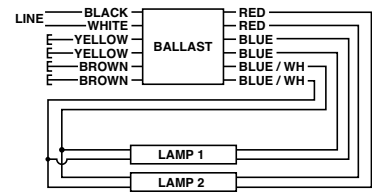


Diagram 9

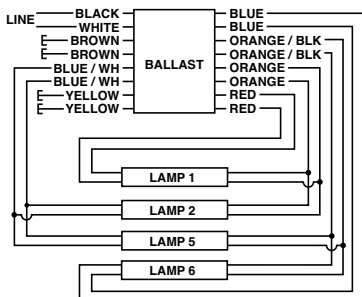


Diagram 10

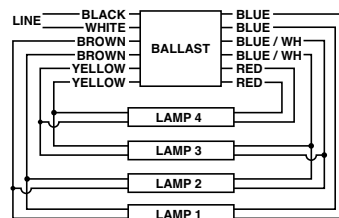
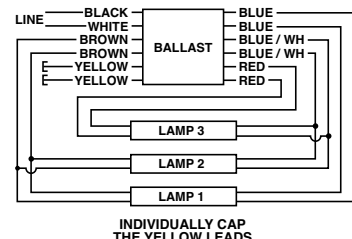


Diagram 16



INDIVIDUALLY CAP THE YELLOW LEADS

Diagram 17

WIRING DIAGRAMS

Diagram Notes:

Note 1: When operating a two-lamp ballast on one lamp insulate each yellow lead.

Note 2: When operating a three-lamp ballast on one lamp insulate each yellow and blue/white lead.

Note 3: When operating a four-lamp ballast on one lamp insulate each yellow and blue/white, and brown lead.

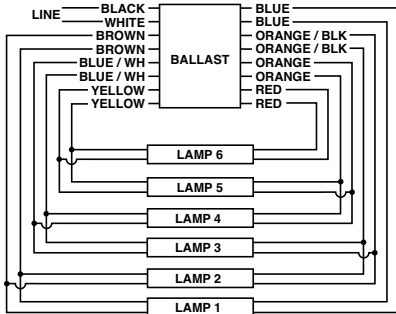


Diagram 18

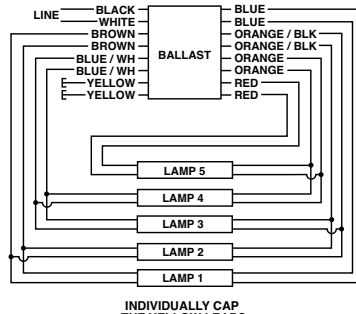


Diagram 19
INDIVIDUALLY CAP
THE YELLOW LEADS

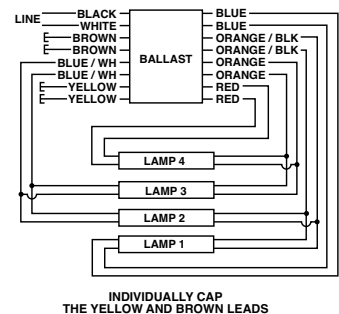


Diagram 20
INDIVIDUALLY CAP
THE YELLOW AND BROWN LEADS

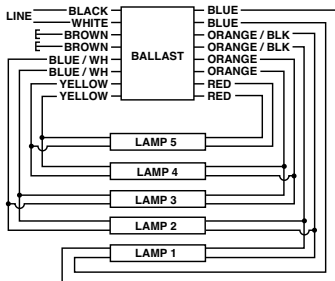


Diagram 21
INDIVIDUALLY CAP
THE BROWN LEADS

Diagram 21

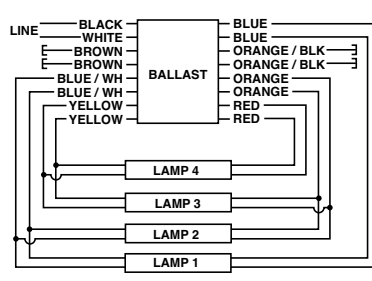


Diagram 22
INDIVIDUALLY CAP
THE BROWN AND ORANGE/BLK LEADS

Diagram 22

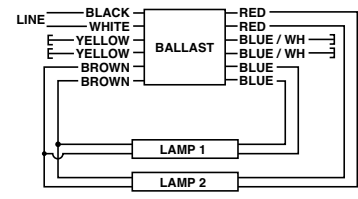


Diagram 23
MOUNT LAMPS WITHIN 1" OF
GROUNDED METAL REFLECTOR

Diagram 23

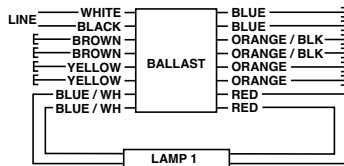


Diagram 24

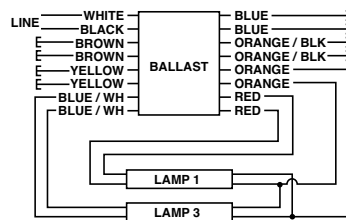


Diagram 25

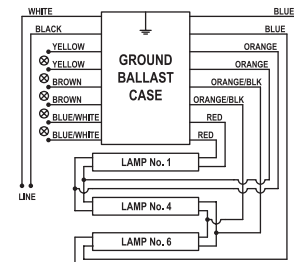


Diagram 26

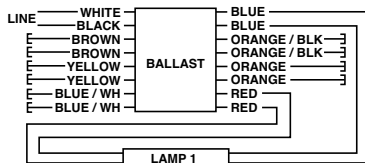


Diagram 27

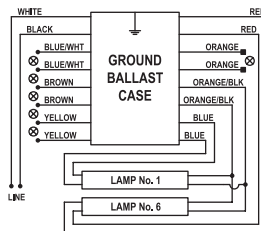


Diagram 28

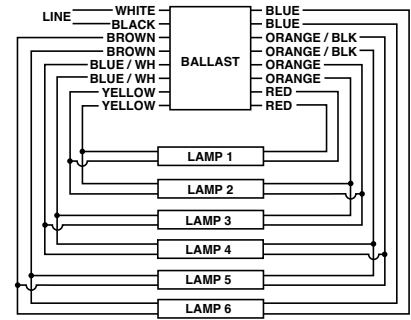


Diagram 29

For More Information, Call
1-800-BALLAST
(225-5278)

